

W600 D1200 Seismic Plinth

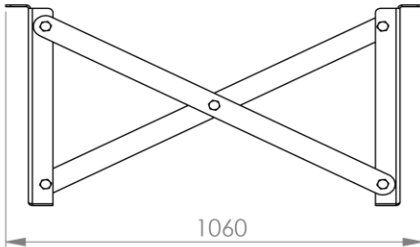
- It offers proven non-structural seismic mitigation services to protect your sensitive and expensive equipment during ground vibration events.
- Prevents earthquake from damaging equipment.
- It provides additional protection to prevent breakdown.

PN: PADCSTW60D120CC

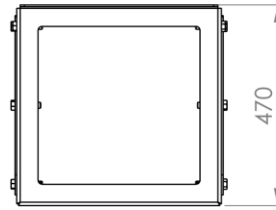
Technical Data

Dimension HxWxD in mm	470 x 1060 x 488mm
Product Code For Colour	RAL 9005 Black color = PADCSTW60D120BL or RAL 7035 L.gray color = PADCSTW60D12
Material	ØLG Sheet Steel

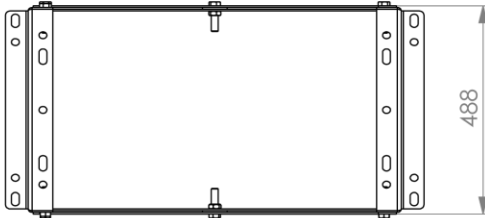
Front view



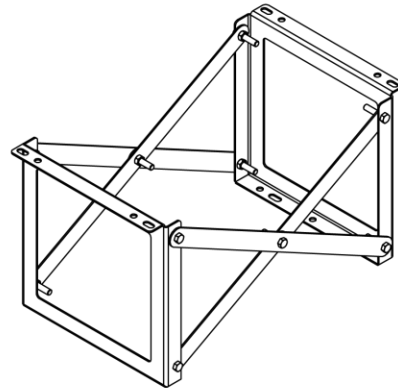
Side view



Bottom view



Isometric view



Top view

