



Double extension rear module for D450mm and D600mm Elegant wall cabinets

H:4U-20U W:600 x D:150mm

- Monoblock welded body
- Heavy duty type hinge which has been designed to allow the main body to be opened to the left or right according to the need.
- Rear module that can be mounted later if needed
- Bottom and top cases with brush cable entry, rear panel with M-joint cable entry.
- Internal 19" mounting rails (belongs to body structure)
- 100kg loading capacity

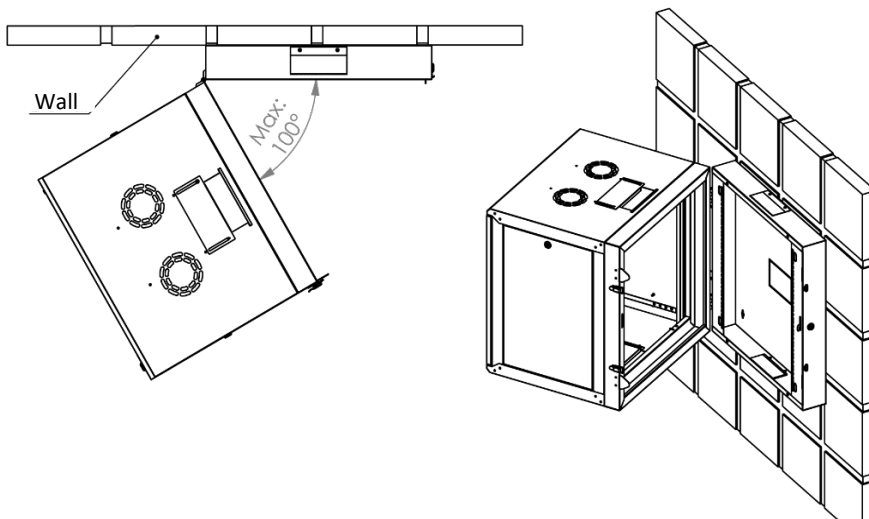
PN: ELGWXXU6015CC

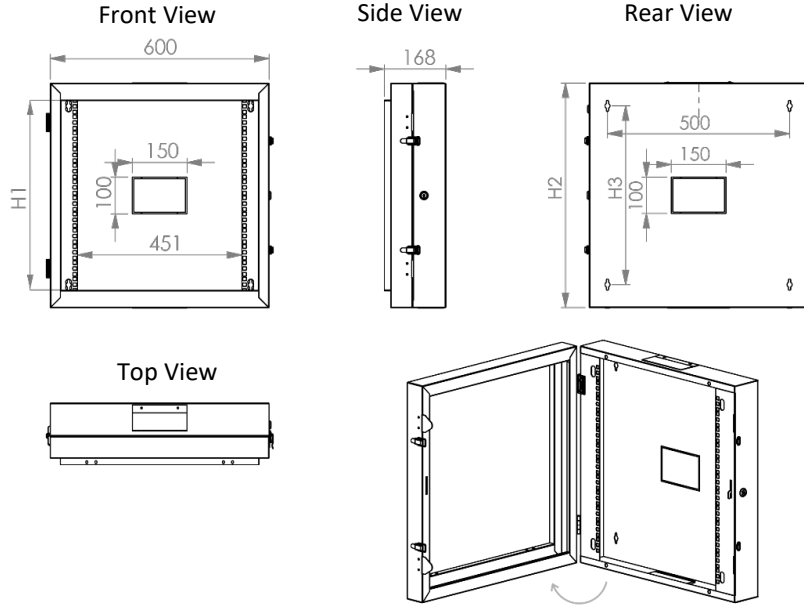
Technical Data

Dimensions HxWxD in mm
 Height (U)
 Material
 Colour

Standards
 Load Carrying Capacity

W:600mm D:150mm H:(Please check page 2 for height options)
 4U-7U-9U-12U-16U-20U
 Sheet Steel, DIN EN 10130-99 / DC-01 6112 / DC-7122
RAL 9005 Siyah Renk = ELGWXXU6015BL veya
RAL 7035 Açık Gri Renk= ELGWXXU6015LG
 TS EN 61587-1
 100kg





Elegant Wall Double Extention Rear Module 600 x 150mm

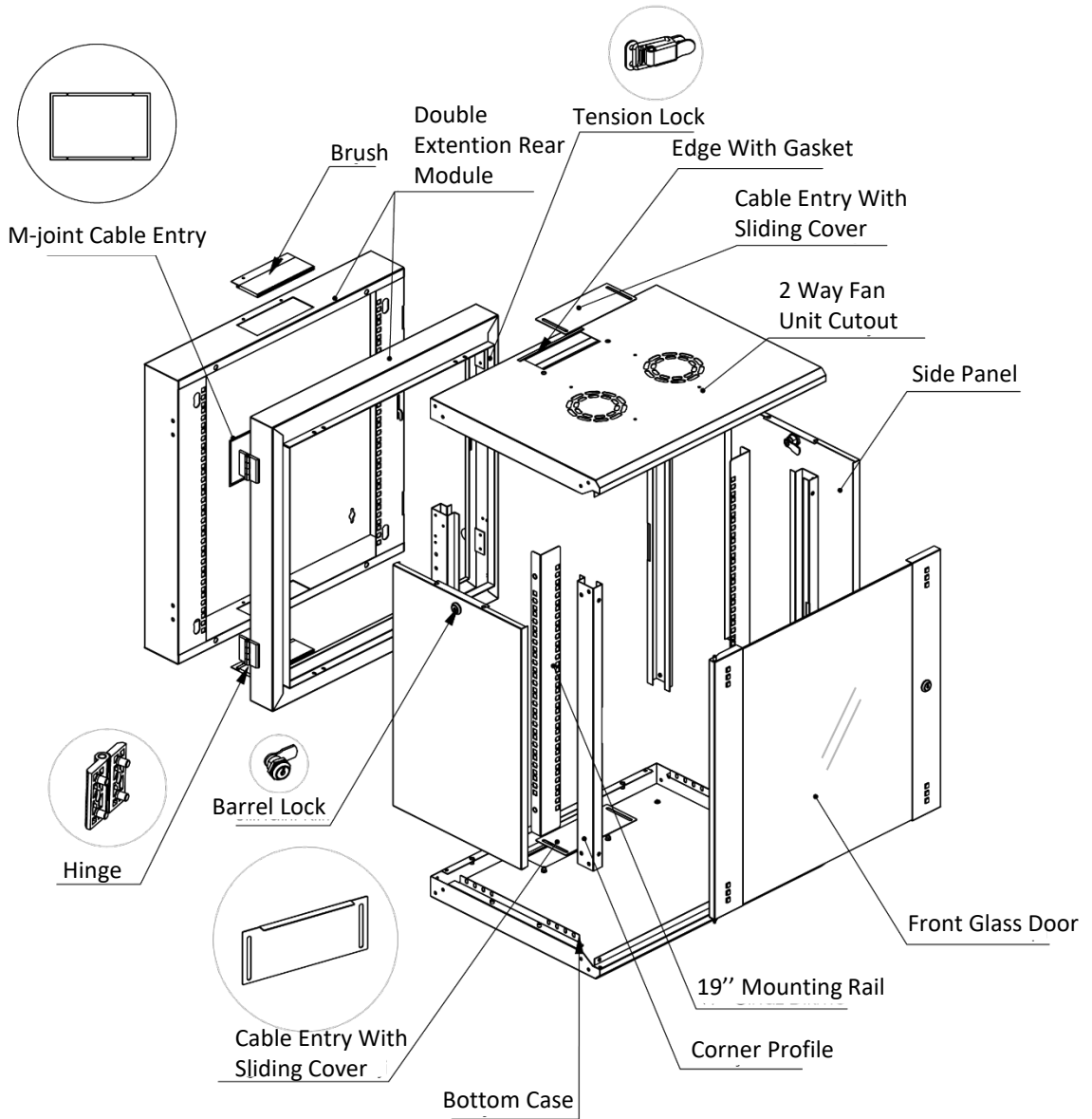
Product Code	Product Description	Width (W) mm	Depth (D) mm	H:1 Inner Height (mm)	H:2 Out Height (mm)	H:3 Wall Mounting Hole Distance (mm)
ELGW04U6015CC	04U Double extention rear module for Elegant wall cabinets	600	150	177,8	259,75	150
ELGW07U6015CC	07U Double extention rear module for Elegant wall cabinets	600	150	311,15	393,1	265
ELGW09U6015CC	09U Double extention rear module for Elegant wall cabinets	600	150	400,05	482	350
ELGW12U6015CC	12U Double extention rear module for Elegant wall cabinets	600	150	533,4	615,35	490
ELGW16U6015CC	16U Double extention rear module for Elegant wall cabinets	600	150	711,2	793,15	660
ELGW20U6015CC	20U Double extention rear module for Elegant wall cabinets	600	150	889	970,95	840

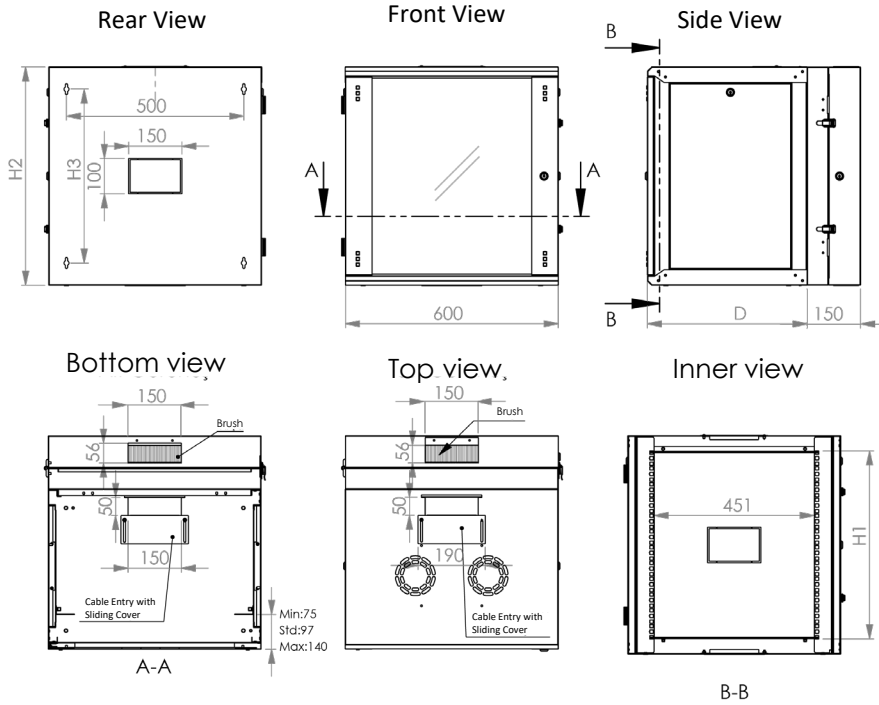
Elegant Wall Double Extention Rear Module 600 x 150mm

PACKING INFORMATION

Product Code	Product Description	WxDxH WidthxDepthxHeight (mm)	Net Weight (kg)	Gross Weight (kg)
ELGW04U6015CC	04U Double extention rear module for Elegant wall cabinets			
ELGW07U6015CC	07U Double extention rear module for Elegant wall cabinets			
ELGW09U6015CC	09U Double extention rear module for Elegant wall cabinets			
ELGW12U6015CC	12U Double extention rear module for Elegant wall cabinets			
ELGW16U6015CC	16U Double extention rear module for Elegant wall cabinets			
ELGW20U6015CC	20U Double extention rear module for Elegant wall cabinets			

Exploded View





Elegant Wall with Double Extention Rear Module 600 x 450 mm + 150mm

Product Code	Product Description	Width (W) mm	Depth (D) mm	H:1 Inner Height (mm)	H:2 Out Height (mm)	H:3 Wall Mounting Hole Distance (mm)
ELGW04U6045EKCC110	Elegant Wall 19" 7U W=600 mm D=450 mm+150mm Section Module	600	600	177,8	259,75	134,4
ELGW07U6045EKCC110	Elegant Wall 19" 9U W=600 mm D=450 mm+150mm Section Module	600	600	311,15	393,1	267,75
ELGW09U6045EKCC110	Elegant Wall 19" 12U W=600 mm D=450 mm+150mm Section Module	600	600	400,05	482	356,65
ELGW12U6045EKCC110	Elegant Wall 19" 16U W=600 mm D=450 mm+150mm Section Module	600	600	533,4	615,35	490
ELGW16U6045EKCC110	Elegant Wall 19" 20U W=600 mm D=450 mm+150mm Section Module	600	600	711,2	793,15	667,8
ELGW20U6045EKCC110	Elegant Wall 19" 7U W=600 mm D=450 mm+150mm Section Module	600	600	889	970,95	845,6

Elegant Wall with Double Extention Rear Module 600 x 600 mm + 150mm

Product Code	Product Description	Width (W) mm	Depth (D) mm	H:1 Inner Height (mm)	H:2 Out Height (mm)	H:3 Wall Mounting Hole Distance (mm)
ELGW04U6060EKCC110	Elegant Wall 19" 4U W=600 mm D=600 mm+150mm Section Module	600	750	177,8	259,75	134,4
ELGW07U6060EKCC110	Elegant Wall 19" 7U W=600 mm D=600 mm+150mm Section Module	600	750	311,15	393,1	267,75
ELGW09U6060EKCC110	Elegant Wall 19" 9U W=600 mm D=600 mm+150mm Section Module	600	750	400,05	482	356,65
ELGW12U6060EKCC110	Elegant Wall 19" 12U W=600 mm D=600 mm+150mm Section Module	600	750	533,4	615,35	490
ELGW16U6060EKCC110	Elegant Wall 19" 16U W=600 mm D=600 mm+150mm Section Module	600	750	711,2	793,15	667,8
ELGW20U6060EKCC110	Elegant Wall 19" 20U W=600 mm D=600 mm+150mm Section Module	600	750	889	970,95	845,6

ELEGANT WALL OPTIONS

Institutional Coding Initial Character	U Height	Width-Depth Dimension	Double Extention Rear Module	Color Options		Door Options		
						X	X	X
AAAA	XXU	WWDD	EK	CC		Front Door	Rear Door	Side Panel
ELGW	4U	6045	EK	RAL 7035 WRY	LG	1 Hinged Glass Opening Front Door Metal Side Frames	1 Rear Module	1 Removable Side Panel
	7U	6060		RAL 9005 WRY	BL	2 Hinged Metal Front Door		
	9U					3 Hinged Full Framed Glass Front Door		
	12U					9 Hinged %80 Flat Perforated Front Door		
	16U							
	20U							

ELEGANT WALL WITH DOUBLE EXTENTION REAR MODULE PACKING INFORMATION

Elegant Wall 600 x 450 mm+150mm with Double Extention Rear Module

PACKING INFORMATION

Product Code	Product Description	WxDxH WidthxDepthxHeight (mm)	Net Weight (kg)	Gross Weight (kg)
ELGW04U6045EKCC110	Elegant Wall 19" 7U W=600 mm D=450 mm+150mm Section Module			
ELGW07U6045EKCC110	Elegant Wall 19" 9U W=600 mm D=450 mm+150mm Section Module			
ELGW09U6045EKCC110	Elegant Wall 19" 12U W=600 mm D=450 mm+150mm Section Module			
ELGW12U6045EKCC110	Elegant Wall 19" 16U W=600 mm D=450 mm+150mm Section Module			
ELGW16U6045EKCC110	Elegant Wall 19" 20U W=600 mm D=450 mm+150mm Section Module			
ELGW20U6045EKCC110	Elegant Wall 19" 7U W=600 mm D=450 mm+150mm Section Module			

Elegant Wall 600 x 600 mm+150mm with Double Extention Rear Module

PACKING INFORMATION

Product Code	Product Description	WxDxH WidthxDepthxHeight (mm)	Net Weight (kg)	Gross Weight (kg)
ELGW04U6060EKCC110	Elegant Wall 19" 4U W=600 mm D=600 mm+150mm Section Module			
ELGW07U6060EKCC110	Elegant Wall 19" 7U W=600 mm D=600 mm+150mm Section Module			
ELGW09U6060EKCC110	Elegant Wall 19" 9U W=600 mm D=600 mm+150mm Section Module			
ELGW12U6060EKCC110	Elegant Wall 19" 12U W=600 mm D=600 mm+150mm Section Module			
ELGW16U6060EKCC110	Elegant Wall 19" 16U W=600 mm D=600 mm+150mm Section Module			
ELGW20U6060EKCC110	Elegant Wall 19" 20U W=600 mm D=600 mm+150mm Section Module			

*The information given in the table above are average values and are for informational purposes only. It may vary according to accessories and door options. Please contact our sales department for the exact information of your orders.