



Procase 19" Outdoor Cabinet
H:7U-26U W:600 D:600

- Monoblock welded body
- Hinged, removable, sealing gasket and 3-point locking front door
- Bottom case is suitable for cable entries
- Top case is suitable for fan mounting
- Side panels with protection, suitable for fan and filter use
- 4 qty 19" mounting rails that can move in cabinet depth
- Suitable for floor type, wall type or pole type use with appropriate accessory options
- Isolation module that can be assembled if requested
- 400kg loading capacity

List Code: PRCXXU6060LG

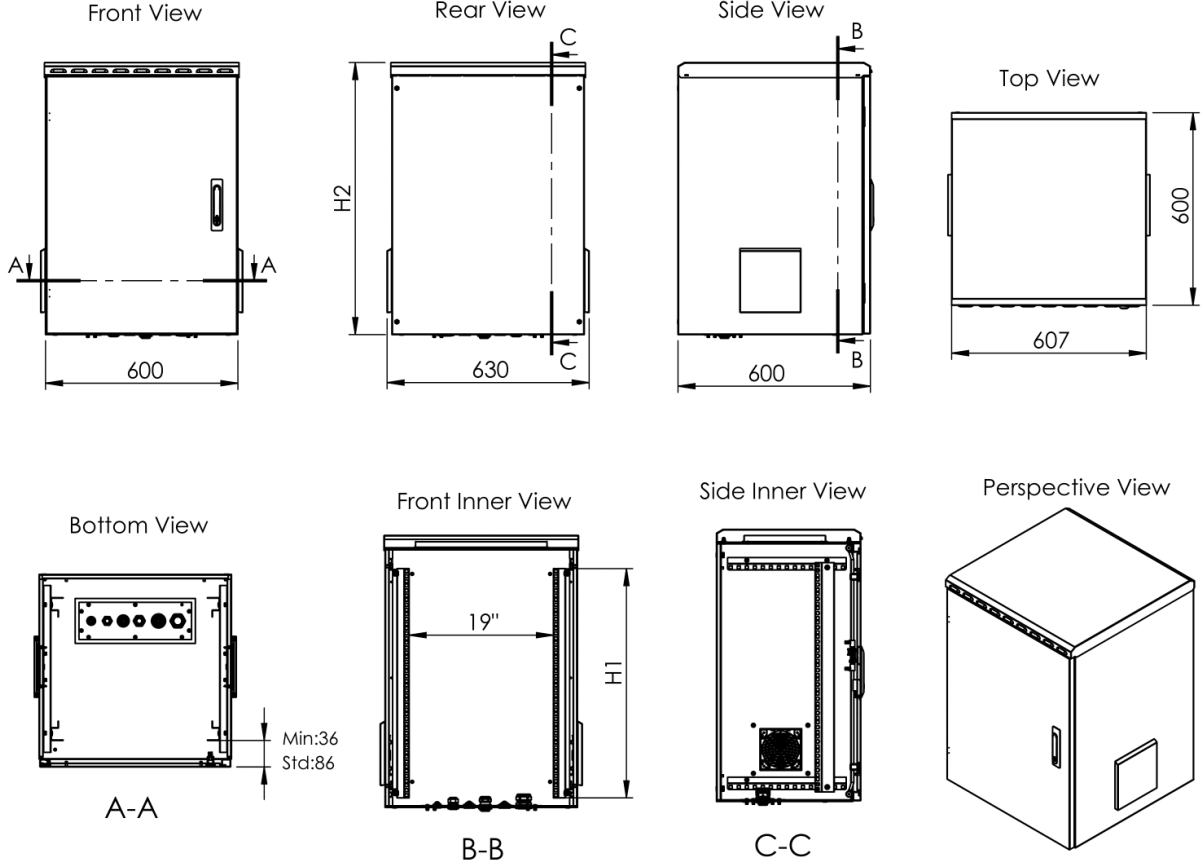
Technical Specifications

Dimensions: WxDxH mm
 Height in U
 Material

W:600mm D:600mm H:(Check 2nd page for height values)
 7U-9U-12U-16U-20U-26U
 Sheet Steel, DIN EN 10130 DC-01 (6112) /EN 10346 DX51D + Z (1311)

Color
 Standards
 Load Carrying Capacity
 Climatic Tests
 Industrial Atmosphere Test
 Static Mechanical Load Class
 Dynamic Vibration Load Test
 Dynamic Mechanical Load Test
 Impact Test
 IP Rate

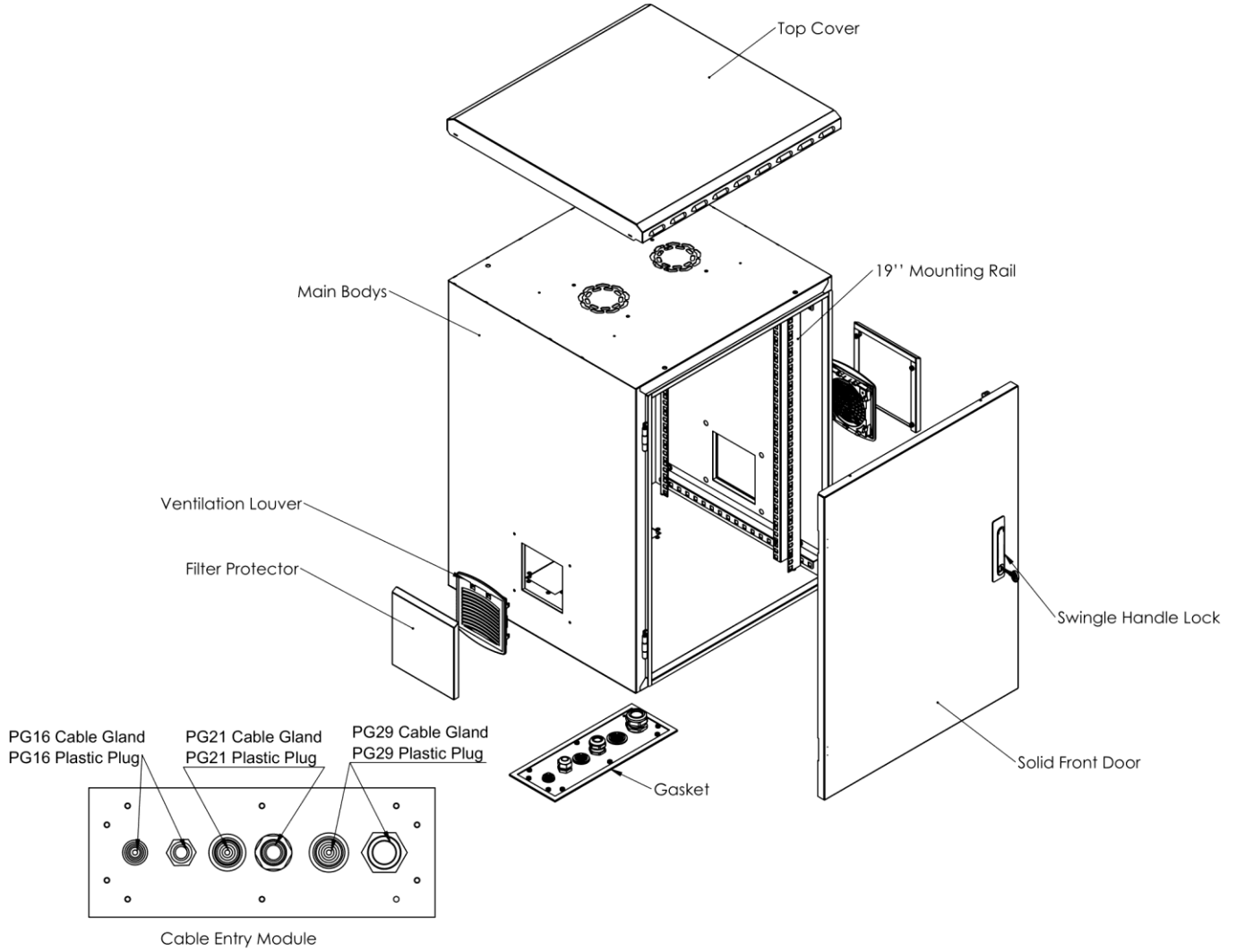
RAL 7035 Light Grey Color
 TS EN 61587-1
 400kg
 C2
 A2
 SL5 - LT5 -ST5 -NL5
 DL4V
 DL4S
 IK10
 IP 55



Procaser 600 x 600 mm

Product Code	Product Description	Width (mm)	Depth (mm)	H:1 Inner Height (mm)	H:2 Outer Height (mm)
PRC06U6060LG	Procaser 6U W:600mm D:600mm	600	600	267	405
PRC09U6060LG	Procaser 9U W:600mm D:600mm	600	600	400	540
PRC12U6060LG	Procaser 12U W:600mm D:600mm	600	600	533	670
PRC16U6060LG	Procaser 16U W:600mm D:600mm	600	600	711	850
PRC20U6060LG	Procaser 20U W:600mm D:600mm	600	600	889	1025
PRC26U6060LG	Procaser 26U W:600mm D:600mm	600	600	1156	1295

Explode View



**Please contact with sales person for the different cable glands.*

PROCASE OPTIONS

Industrial Coding Initial Character	'U' Height	Width - Depth Dimensions	Color Code	
AAAA	XXU	WWDD	CC	
PRC	7U	6045	RAL 7035 PE	LG
	9U	6060		
	12U			
	16U			
	20U			
	26U			

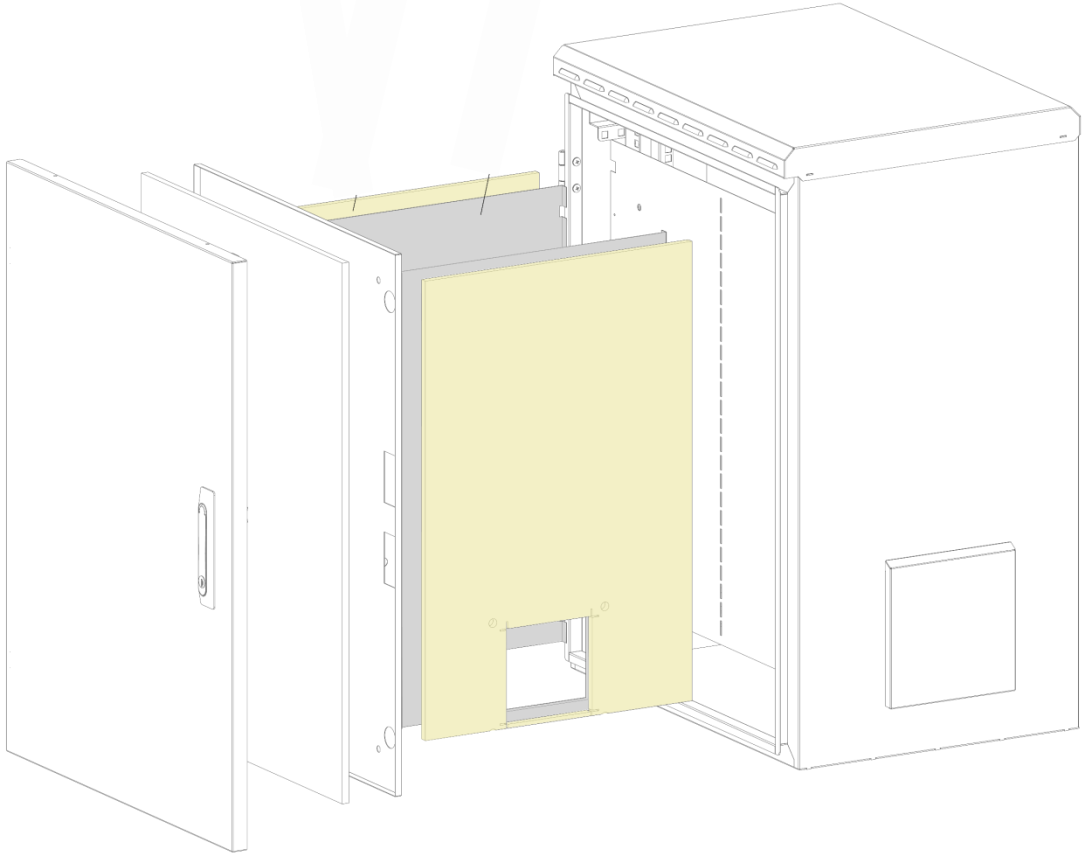
Proc case 600 x 600 mm	ASSEMBLED Packing Information
-------------------------------	--------------------------------------

Product Code	Product Description	WxDxH WidthxDepthxHeight (mm)	Net Weight (kg)	Gross Weight (kg)
PRC06U6060LG	Proc case 6U W:600mm D:600mm	640x640x425	32	34
PRC09U6060LG	Proc case 9U W:600mm D:600mm	640x640x550	35	37
PRC12U6060LG	Proc case 12U W:600mm D:600mm	640x640x690	40	42
PRC16U6060LG	Proc case 16U W:600mm D:600mm	640x640x860	47	49
PRC20U6060LG	Proc case 20U W:600mm D:600mm	640x640x1030	51	54
PRC26U6060LG	Proc case 26U W:600mm D:600mm	640x640x1300	77	81

**The information given in the table above are average values and are for informational purposes only. It may vary according to accessories and door options. Please contact our sales consultant for the exact information of your orders.*

PROCASE ACCESSORIES

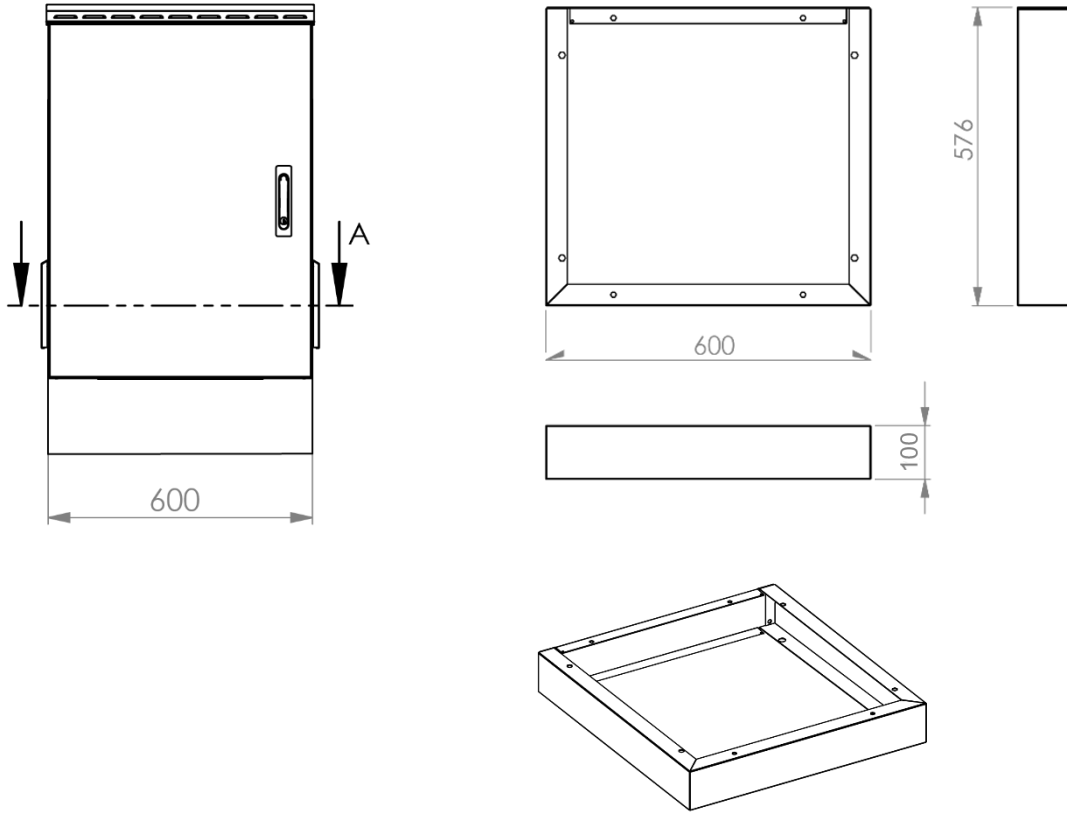
Isolation Module



Procace 600x600mm Isolation Module

Product Code	Product Description
PRCIZ07U6060PE10	Procace 07U W:600mm D:600mm Isolation Module
PRCIZ09U6060PE10	Procace 09U W:600mm D:600mm Isolation Module
PRCIZ12U6060PE10	Procace 12U W:600mm D:600mm Isolation Module
PRCIZ16U6060PE10	Procace 16U W:600mm D:600mm Isolation Module
PRCIZ20U6060PE10	Procace 20U W:600mm D:600mm Isolation Module
PRCIZ26U6060PE10	Procace 26U W:600mm D:600mm Isolation Module

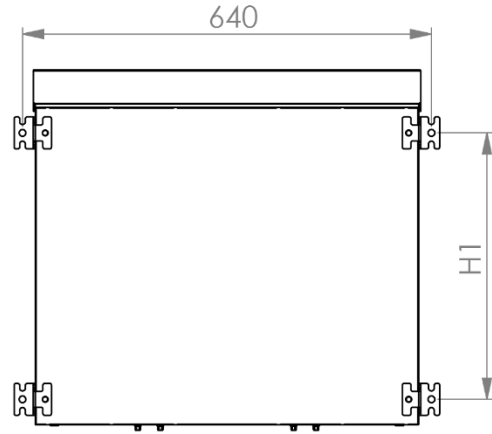
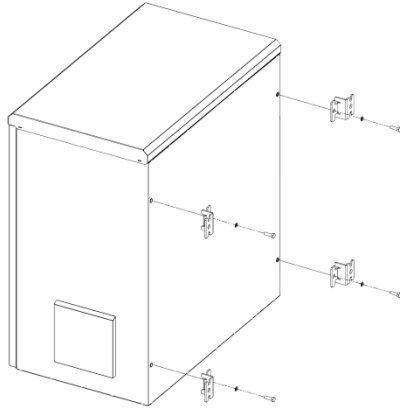
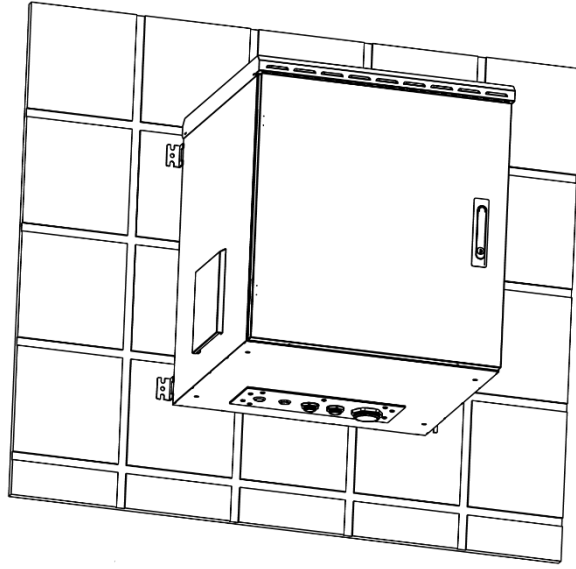
Plinth Module



Procace 600x600mm Plinth Module

Product Code	Product Description	Width (mm)	Depth (mm)	H1: Height (mm)
PRCBZ6060H10	Procace Plinth Module W:600mm D:600mm H:100mm	600	600	100
PRCBZ6060H20	Procace Plinth Module W:600mm D:600mm H:200mm	600	600	200
PRCBZ6060H30	Procace Plinth Module W:600mm D:600mm H:300mm	600	600	300
PRCBZ6060H40	Procace Plinth Module W:600mm D:600mm H:400mm	600	600	400

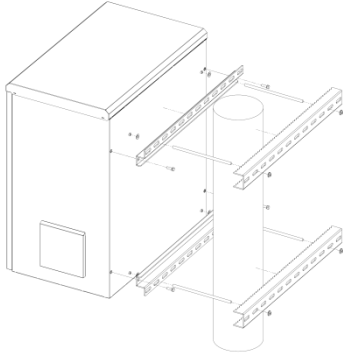
Wall Type Fixing Bracket



Procace 600x600mm Wall Type Fixing Bracket

Product Code	Product Description	Width (mm)	H1: Height (mm)
PRCDVMA01	Procace 07U Wall Type Fixing Bracket	640	328
PRCDVMA01	Procace 09U Wall Type Fixing Bracket	640	417
PRCDVMA01	Procace 12U Wall Type Fixing Bracket	640	550
PRCDVMA01	Procace 16U Wall Type Fixing Bracket	640	728
PRCDVMA01	Procace 20U Wall Type Fixing Bracket	640	906
PRCDVMA01	Procace 26U Wall Type Fixing Bracket	640	1172

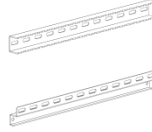
3 DIFFERENT POLE TYPE FIXING METHODS



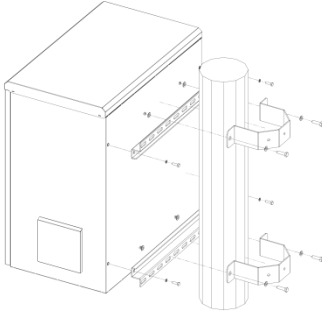
Pole Type Fixing Bracket *Universal Type*

Product Code: PRCDRMA01

Pole modules; Universal type pole module provides ease of use in order to clamping wood or metal poles, it is providing extremely strong clamping on the any height/type poles without need the information of pole dimension or diameter.



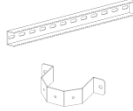
3mm



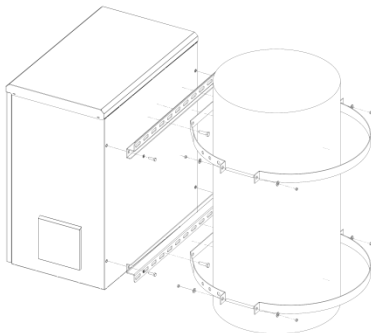
Pole Type Fixing Bracket *Multi-edge type of poles*

Product Code: PRCMEMA01

Multi-edged type wall mounting brackets has been designed for hanging enclosure to the wall, Bracket thickness is 3mm.



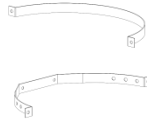
*Poles dimension /
diameter / angles must be
provided by the customer.*



Pole Type Fixing Bracket *Round type poles*

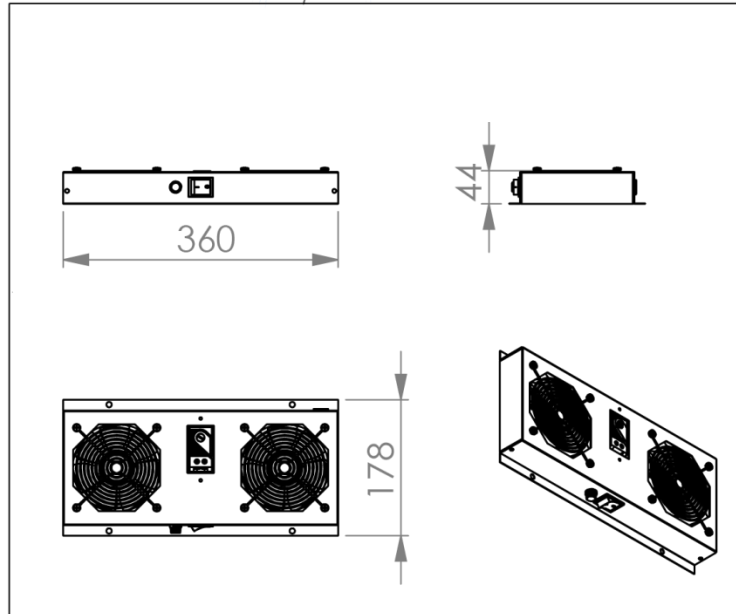
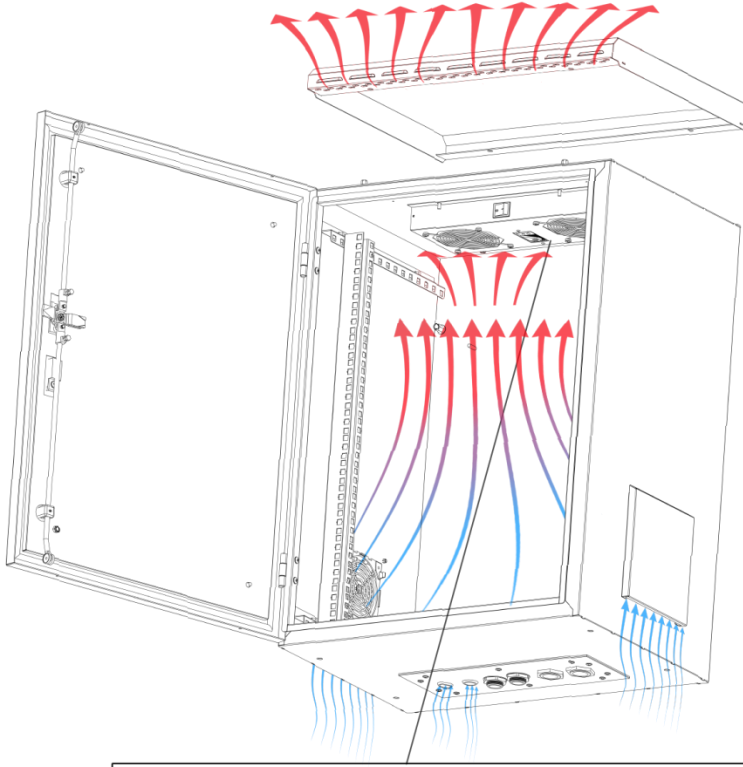
Product Code: PRCRTMA01

Round type stainless steel wall mounting brackets has been designed for hanging enclosure to the wall, Bracket thickness is 2mm.



*Poles dimension /
diameter / angles must be
provided by the customer*

Fan Unit



Product Code: PRCFNT2

Product Description: Fan Unit; 2 way ventilation unit with On/off switch and thermostat control

TECHNICAL SPECIFICATIONS

PROTECTION INDEX

- IP55 EN 61587-1 IEC 60529

MECHANICAL PERFORMANCE

EN 61587-1 15.01.2018

- Load Test (Performance Level SL12-LT5-ST5-NL5)
- Dynamic Load Test - Vibration (Performance level DL4V) IEC 60068-2-6
- Dynamic Mechanical Load Test - Shock (Performance level DL4S) IEC 60068-2-27
- Impact Test IEC 60068-2-75 IEC62262 (Performance level IK07)
- Permissible Load Carrying Capacity : 400 kg

CLIMATIC TEST(Performance level (C2)

- Cold (IEC 60068-2-1)
- Dry Heat (IEC 60068-2-2)
- Damp Heat Cyclic (IEC 60068-2-30)

INDUSTRIAL ATMOSPHERE (Performance level A2)

- Salt Mist Test IEC 60068-2-11
- Salt Spray Test TS EN ISO 9227
- Sulphur dioxide test and hydrogen sulphide test IEC 60068-2-42, IEC 60068-2-43, IEC 60068-2-49, IEC60068-2-52

GROUNDING CONTINUITY

EN 61587-1 / EN 61010-1

- The continuity of the protection circuit is in accordance with the standard regulations. The measured resistance is less than 0.1 Ohm..

STANDARDS

1. **ISO9001-2015** Quality management system must be used in the production of 19" Rack cabinets
2. 19" Rack Cabinets must have a **TSE** Certificate EN 61587-1 15.01.2018 standard.
3. In addition, all of the main and auxiliary materials used in the manufacturing process must comply with the following standards.

- **Material** Sheet Steel, DIN EN 10130 DC-01 (6112) / EN 10346 DX51D + Z (1311)
- **Electrostatic Powder Paint** ISO 9001:2015 ASTM D523; ASTM D2794; ISO 8130-13; ISO 8130-5 RAL 7035
- **Ventilation Units (Fan Unit)** "EMC EN55032:2015 & LVD EN IEC 62368-1: 2020 +A11:2020
- **Connection Components** (screw, nut, washers etc.)" TS EN ISO 7045; TS EN ISO 4032; RoHS IEC 62321 "
- **Lock Systems** DIN-EN 1774-ZnAl4Cu1; PA6 GFR 30

TECHNICAL SPECIFICATIONS

In the production of 19" Wall Mounted, Free Standing, Pole Type Rack cabinets, it must have TSE certificate containing ISO 9001:2015 quality assurance system and EN 61587-1, (IEC 60917, IEC 60297) standards

Dimensions: It should comply with IEC 60297 standard. Internal use "U" capacity of cabinets 7U-9U-12U-16U-20U-26U, excluding lock from outside to outside; It should be W:600mm, D:600 mm or W:600 D:450 mm.

Main Body: It should consist of three parts: the main body plate, the top plate and bottom plate. The main carrier, top and bottom plates should increase the strength of the cabinet, and should have a monoblock bended and welded structure. It should be produced from 1.50 DX51D+Z quality galvanized material. The top panel should be suitable for fan mounting, there should be a cable entry on the bottom plate of the main body. Thanks to the filters and protection covers on the side edges of the cabinet, it should be protected against dust and water, and the natural air should reach the cabinet by filtering through the filter. The hot air inside the cabinet must be circulated through the slots and shutters on the edges of the roof and under the roof, the body structure must allow wall, floor and pole type use.

It should be easily mounted on the wall, it should be easily mounted on the wall with the wall mounting fixing bracket set, on the pole with the pole mounting fixing bracket set and on the floor with the plinth. Brackets must have a load carrying capacity of at least 400 kg. A product supplied as a wall mount must only be converted to a floor type when the plinth is supplied. With the positioning of the ventilation outlets, necessary protection measures against pressurized water and sabotage must be taken. The body structure of the cabinet should be suitable for single-walled and double-walled structures. When the inner walls are supplied, they should be double-walled, depending on the situation of the cabinet in the field.

Door structure: The front door module should be manufactured from 1.50 DX51D+Z quality galvanized material. The highest corrosion resistance should be provided with RAL 7035 light gray epoxy polyester electrostatic powder paint applied on the monoblock welded structure reinforced with bends. The front door is made of polyurethane sealing gasket, durable between -40° and +100°C, can be opened 125° and should be metal. A 3-point locking system should be used on the front door. It should have the possibility to be made double walled after mounting in the field. The front door should be closed on the frame system with flange bended, water channel and gasket on the cabinet main body

Top Case: The hot air circulation inside the cabinet should be done through the slots and shutters on the edge of the top cover. Shutters and slots should be protected against harmful effects that may occur on the equipment inside the cabinet due to the ingress of dust blown by wind, rain, slush and splashing water, since the application areas are outdoors open to environmental impact. Top cover cannot be interfered with from the outside in any way, it should have a structure that can be screwed onto the main body.

Paint: Cabinets will provide high resistance against impacts; It should be painted with electrostatic RAL7035 white powder polyester paint. (ISO 9227 and ASTM B 117-85). It must be resistant to a minimum of 1000 hours of salt test and test result reports must be submitted. On metal surfaces; 80 +/- 5 micron paint thickness should be provided.

Inner Wall: Inner wall should be manufactured from 1.00 mm DX51D+Z galvanized material and should be reinforced with bends. The walls should be easily removable and pluggable and should not be interfered with in any way from the outside. 10 mm thick polyurethane panel or polyethylene panel between the walls should be used as heat insulation material. The heat insulation material should prevent the cabinet from overheating and cooling. Heat insulation should be applied to the front door, back and side surfaces of the cabinet. In order to make the single-walled cabinet installed in the field double-walled, it should be sufficient to supply only inner wall as an accessory..

19" Mounting Rails: In order to provide high corrosion resistance, it should be manufactured from 1.50 mm DX51D+Z galvanized material, mounting rails should be adjustable throughout the depth of the cabinet. Cabinets should be shipped with front mounted 1 set: 2 qty 19" mounting rails as standard. In cabinets with a depth of D:600mm, 19" mounting rails should be 1 set: 4 qty. In order to remove sharp surfaces on the profiles, deburring should be done on the edges. When the apparatus needed to convert the cabinets to wall type, pole type or floor type is requested, it should be shipped with the connection screws and should be easy to install. Cabinets should have a structure that can be used as a floor type by using wheels or levelling feets when requested.

Cable Entries: The cable entry panel is easily removable. Cable entry module; should be suitable for customizable cable glands. The inside of the cable glands must be closed, they must be produced from 1.5mm DX51D+Z galvanized material and painted with epoxy polyester electrostatic powder. 1 pcs PG16 Gland, 1 pcs PG16 Plastic Cap, 1 pcs PG21 Gland, 1 pcs PG21 Plastic Cap, 1 pcs PG29 Gland, 1 pcs PG29 Plastic Cap.

Enclosure Isolation: : Using double-walled isolation in enclosures according to environmental and regional conditions is an effective solution against the heat problem of the enclosures. Circulation fans are the fans that circulate the air inside the enclosure, they should reduce the temperature and prevent heat condensation that can damage the active components. Isolation material 10 mm thick polyethylene sheet should be used.