



Procasa 19" Outdoor Cabinet w/ Airconditioner
H:16U-26U W:600 D:600

- Monoblock welded body
- Hinged, removable, sealing gasket and 3-point locking front door
- Bottom case is suitable for cable entries
- 4 qty 19" mounting rails that can move in cabinet depth
- Suitable for floor type, wall type or pole type use with appropriate accessory options
- Isolation module
- 400kg loading capacity
- 500W, 1000W, 1700W airconditioner options

List Code: PRCXXU6060LGXXACU

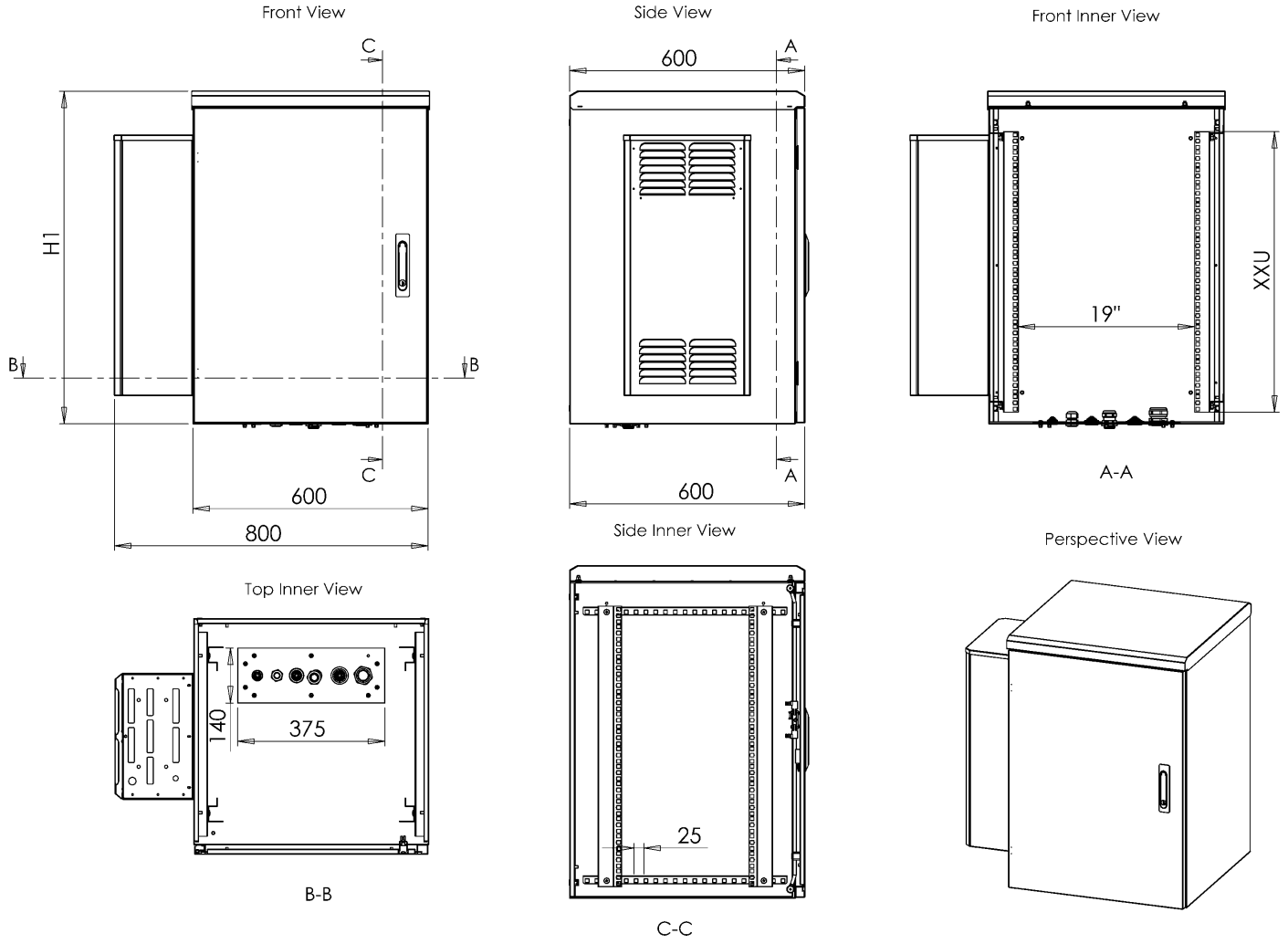
Technical Specifications

Dimensions: WxDxH mm
 Height in U
 Material

W:600mm D:600mm H:(Check 2nd page for height values)
 16U-20U-26U
 Sheet Steel, DIN EN 10130 DC-01 (6112) /EN 10346 DX51D + Z (1311)

Color
 Standards
 Load Carrying Capacity
 Climatic Tests
 Industrial Atmosphere Test
 Static Mechanical Load Class
 Dynamic Vibration Load Test
 Dynamic Mechanical Load Test
 Impact Test
 IP Rate

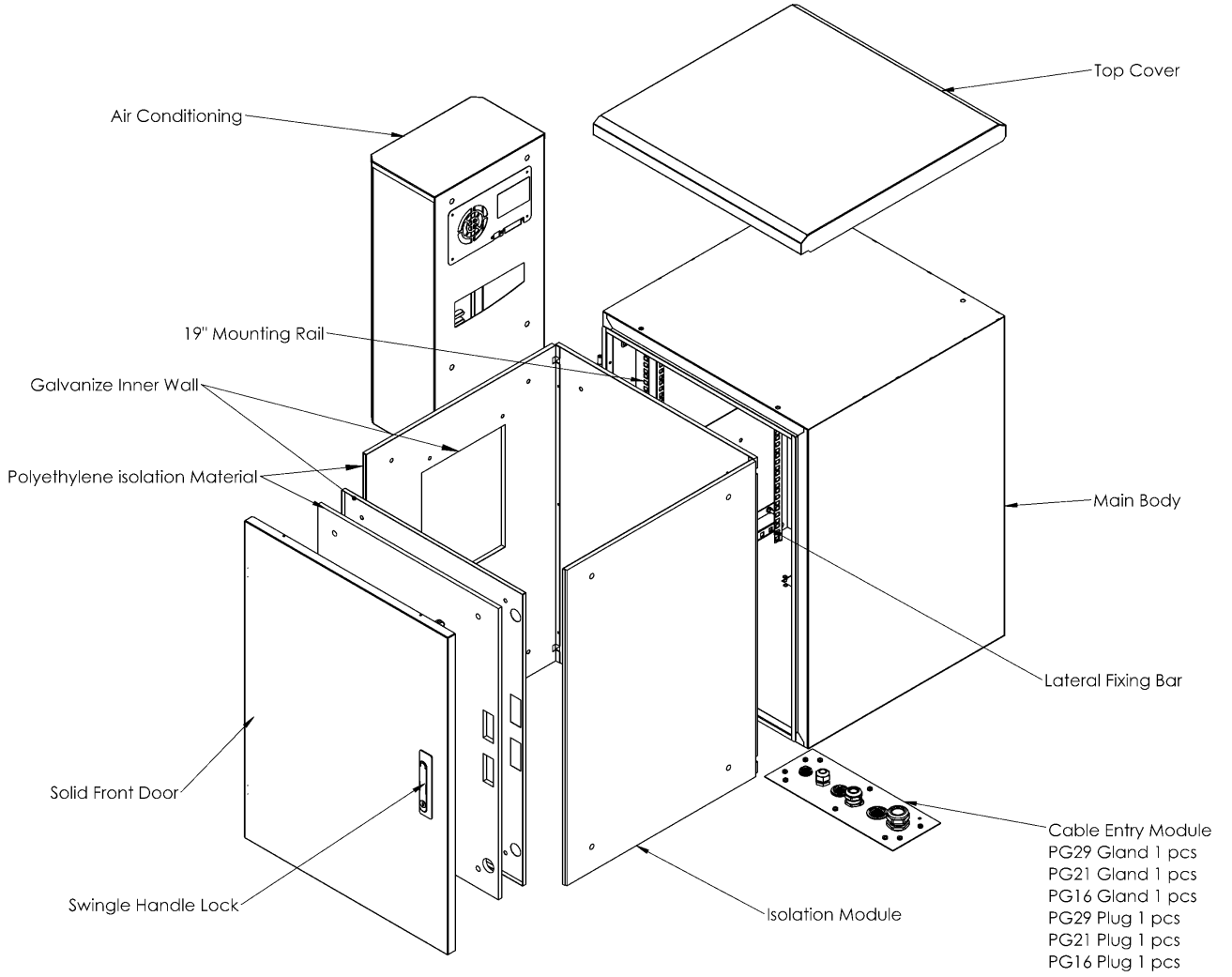
RAL 7035 Light Grey Color
 TS EN 61587-1
 400kg
 C2
 A2
 SL5 - LT5 -ST5 -NL5
 DL4V
 DL4S
 IK10
 IP 65



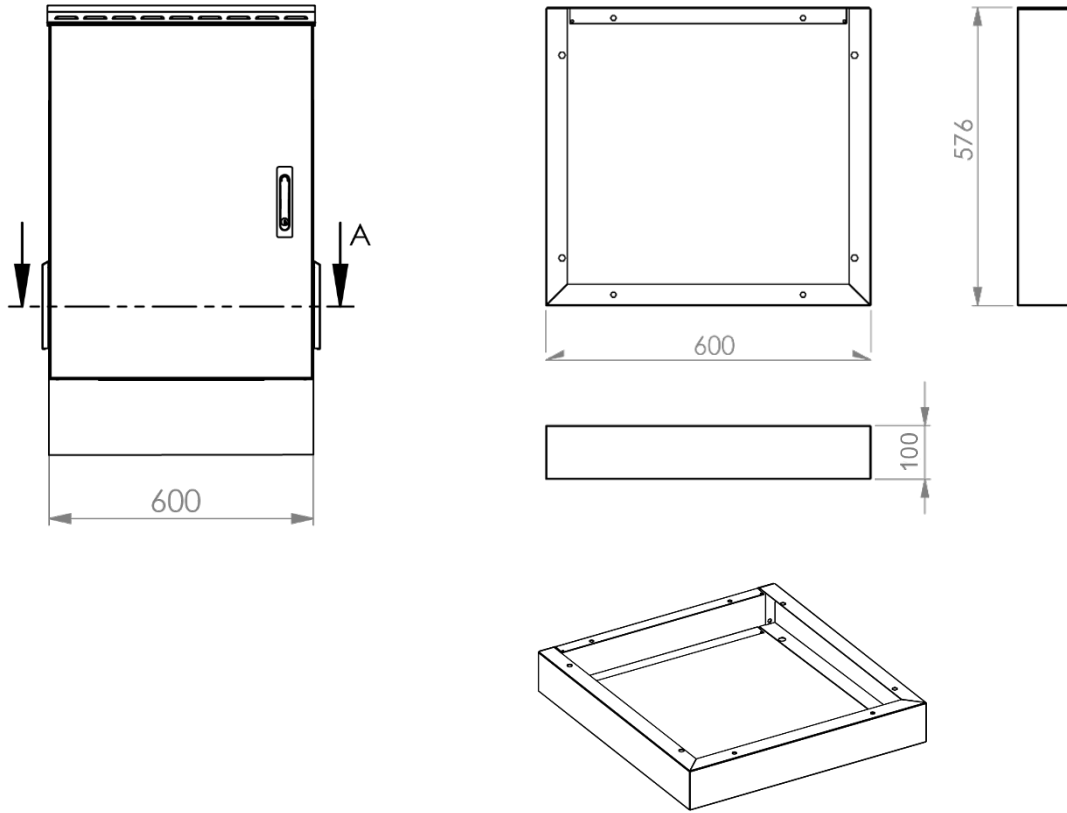
Procace 600 x 600 mm

Product Code	Product Description	Width (mm)	Depth (mm)	H:1 Outer Height (mm)
PRC16U6060LGXXACU	Procace 16U W:600mm D:600mm	600	600	850
PRC20U6060LGXXACU	Procace 20U W:600mm D:600mm	600	600	1028
PRC26U6060LGXXACU	Procace 26U W:600mm D:600mm	600	600	1295

Explode View



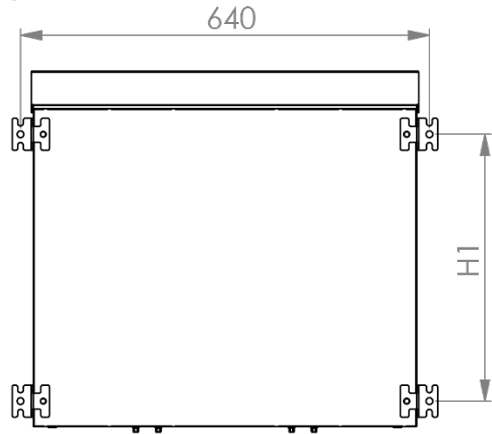
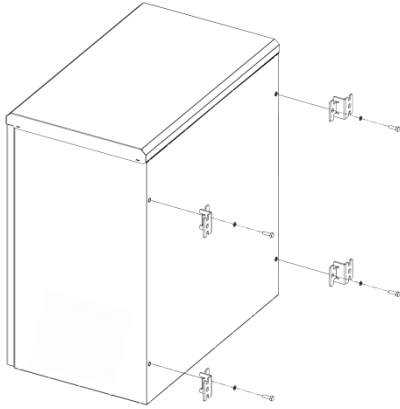
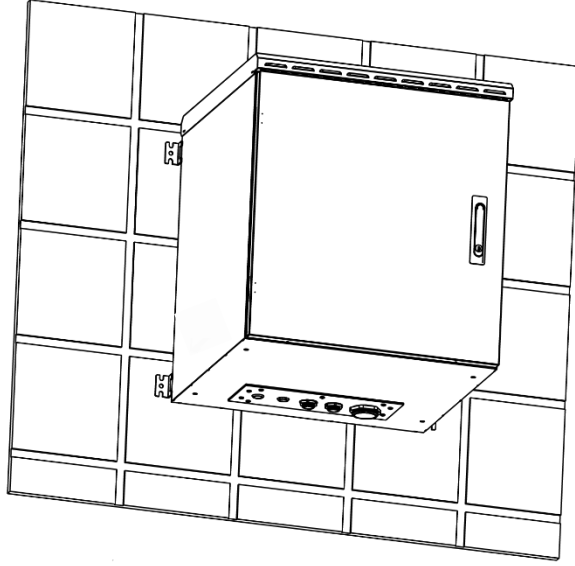
Plinth Module



Procace 600x600mm Plinth Module

Product Code	Product Description	Width (mm)	Depth (mm)	H1: Height (mm)
PRCBZ6060H10	Procace Plinth Module W:600mm D:600mm H:100mm	600	600	100
PRCBZ6060H20	Procace Plinth Module W:600mm D:600mm H:200mm	600	600	200
PRCBZ6060H30	Procace Plinth Module W:600mm D:600mm H:300mm	600	600	300
PRCBZ6060H40	Procace Plinth Module W:600mm D:600mm H:400mm	600	600	400

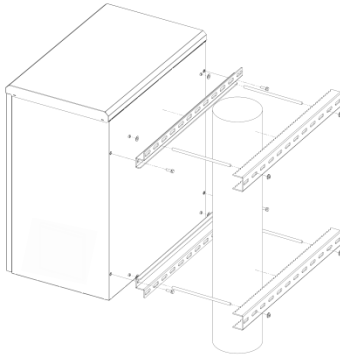
Wall Type Fixing Bracket



Procace 600x600mm Wall Type Fixing Bracket

Product Code	Product Description	Width (mm)	H1: Height (mm)
PRCDVMA01	Procace 07U Wall Type Fixing Bracket	640	328
PRCDVMA01	Procace 09U Wall Type Fixing Bracket	640	417
PRCDVMA01	Procace 12U Wall Type Fixing Bracket	640	550
PRCDVMA01	Procace 16U Wall Type Fixing Bracket	640	728
PRCDVMA01	Procace 20U Wall Type Fixing Bracket	640	906
PRCDVMA01	Procace 26U Wall Type Fixing Bracket	640	1172

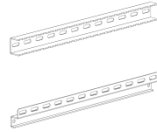
3 DIFFERENT POLE TYPE FIXING METHODS



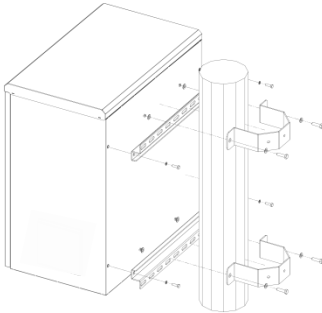
Pole Type Fixing Bracket *Universal Type*

Product Code: PRCDRMA01

Pole modules; Universal type pole module provides ease of use in order to clamping wood or metal poles, it is providing extremely strong clamping on the any height/type poles without need the information of pole dimension or diameter.



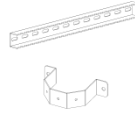
3mm



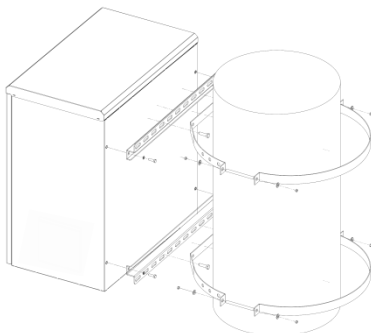
Pole Type Fixing Bracket *Multi-edge type of poles*

Product Code: PRCMEMA01

Multi-edged type wall mounting brackets has been designed for hanging enclosure to the wall, Bracket thickness is 3mm.



*Poles dimension /
diameter / angles must be
provided by the customer.*



Pole Type Fixing Bracket *Round type poles*

Product Code: PRCRTMA01

Round type stainless steel wall mounting brackets has been designed for hanging enclosure to the wall, Bracket thickness is 2mm.



*Poles dimension /
diameter / angles must be
provided by the customer*