



The ventilation units has been designed to expel the warm air from the top of the rack cabinets and ensuring correct air circulation.

- Compatible only 1000mm / 1100mm / 1200mm Rack Cabinets
- 6 Ventilation units
- Digital Thermostat + On/off switch control unit
- Top plate mounting
- Mounting screws
- Power cord with schuko plug

**List Code:** PA CC ELG FN6 DT6

### Technical Data

Dimension HxWxD in mm	40mm x 400mm x 488mm
Product Code For Colour	RAL 9005 Black color = <b>PA BL ELG FN6 DT6</b> or RAL 7035 L.gray color = <b>PA LG ELG FN6 DT6</b>
Individual Packing Size HxWxD (mm)	55*500*600
Unit Net/Gross Weight	5,1 kg / 5,6 kg

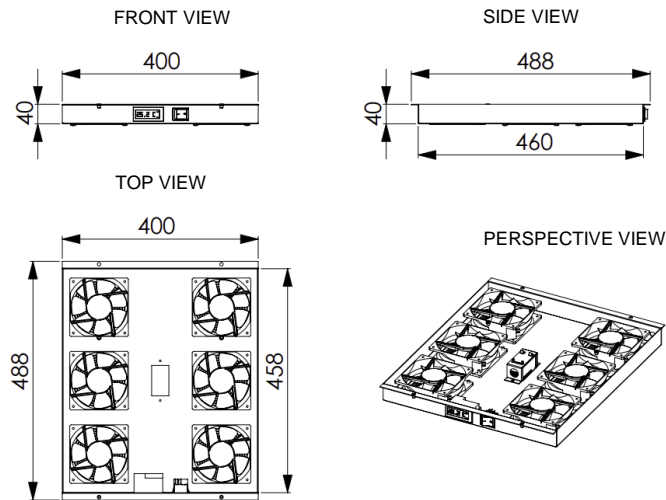
### Mechanical Characteristics

Material Type	Sheet Steel
---------------	-------------

### Power Characteristics

Voltage Range	220/240
Freq Hz	50/60
Current (A)	0,14A
Power (W)	22
Speed RPM	2700/3000
Noise Level in (dBA)	40/47dBA
Air Flow M3/Hr & CFM	133/162 & 82/95

### Drawings



## General information of the Fan units

### EMC Applied standards Report Nr: EMC2019258.01

• EN 55032	Emission – Electronic compability of multimedia equipment
• IEC EN 61000-3-2	Limits for harmonic currents emission
• EN 61000-3-3 +A1	Limitation of voltage fluctiations and flicker
• EN 55024 +A1	Immunity – information Technology equipment
• EN 61000-4-2	Electrostatic discharge immunity test
• EN 61000-4-3 +A1+A2	Radiated RF electromagnetic field immunity test
• EN 61000-4-4	Electrical fan transient/brust immunity test
• EN 61000-4-5 +A1	Surge immunity test
• EN 61000-4-6	Immunity to RF conducted disturbances
• EN 61000-4-8	Power frequency magnetic field immunity test
• EN 61000-4-11 +A1	Voltage dips, short interruptions and voltage variations immunity test
• EN 61000-6-3 +A1 - +AC	Generic emission standard. Residential, commercial and light industry

### Overview of results

Emission Test	Standards	Results
• Mains conducted disturbance voltage	EN 55032 Class A	PASS
• Radiated electromagnetic field	EN 55032 Class A	PASS
• Harmonic current emission	EN 61000-3-2	PASS
• Limitation of voltage fluctuations	EN 61000-3-3	PASS
• Discontinuoud istribance (clics) on AC powerleads	EN 61000-6-3	PASS

Immunity Test	Standards	Results
• Electrostatic discharges (ESD) immunity	EN 55024, EN 61000-4-2	PASS
• Radiated EM field immunity	EN 55024, EN 61000-4-3	PASS
• Electrical fast transient (EFT) Burst transient immunity	EN 55024, EN 61000-4-4	PASS
• Surge transient immunity	EN 55024, EN 61000-4-5	PASS
• Conducted RF disturbances immunity	EN 55024, EN 61000-4-6	PASS
• Power frequency magnetic field immunity	EN 55024, EN 61000-4-8	N/A
• Power supply voltage interruptions & dips immunity	EN 55024, EN 61000-4-11	PASS

### LVD / information technology equipment safety Report Nr: ESIM62368\_1C

**Standard :** IEC 62368-1 :2018

The prduct fulfils the requirements of the \*IEC 62368-1 :2018\* EN IEC 62368-1 :2020 + A11:2020 standards

#### Additional Information

• Supply cord + Schuko plug	TS IEC 60884-1+A1+A2
• Supply cord + UK plug	BS 1363-1
• On/Off switch	TS EN61058-1
• Analog Thermostat	EN 60730-1 / EN60730-2-9
• Connector	IEC/EN 60950-1
• Fan	IEC/EN 60950-1